

Features

- Low power loss,high efficiency
- High reliability
- RoHS product



Applications

- Switch power supply
- General circuits
- UPS



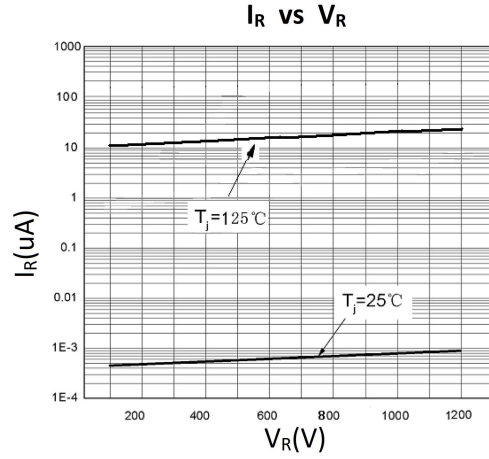
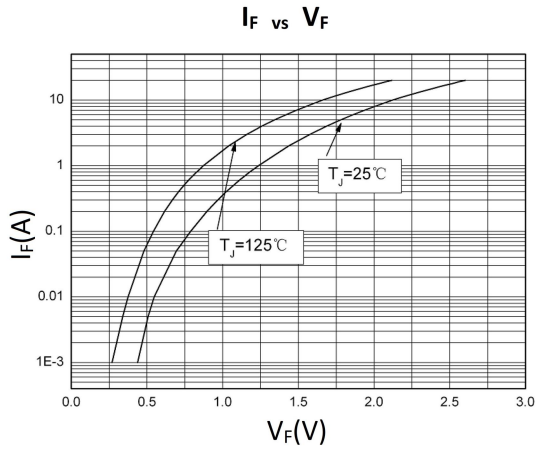
Absolute Maximum Ratings(Tc=25°C)

Parameter	Symbol	Test Conditions	Values	Unit
Repetitive Peak Reverse Voltage	V_{RRM}		1400	V
Average Output Current	$I_{F(AV)}$	$T_c=100^{\circ}C$	15	A
Peak one Cycle Surge Forward Current	I_{FSM}	Sine wave 10ms	150	A
power dissipation	P_D		100	W
Junction Temperature	T_J		-50 ~ 150	°C
Storage Temperature Range	T_{STG}		-50 ~ 150	
Thermal Resistance	$R_{\theta JC}$	Junction-to-Case	1.5	°C/W

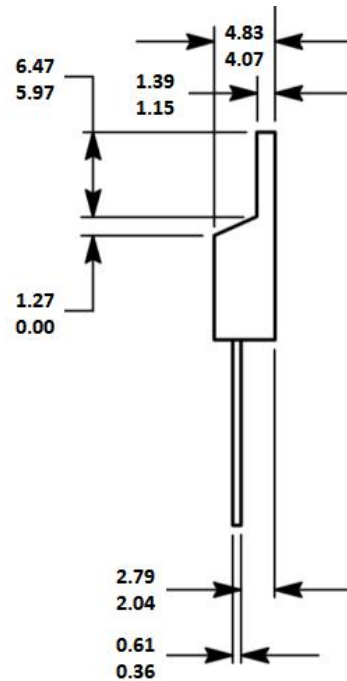
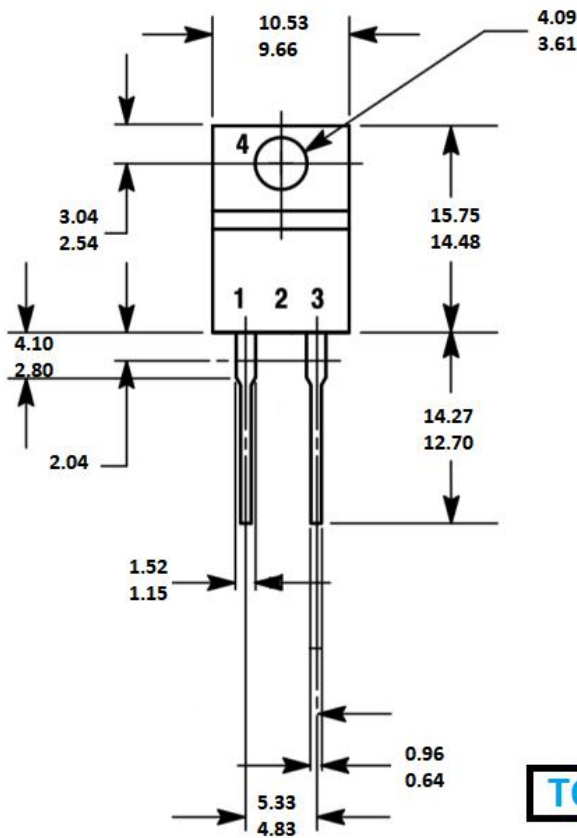
Electrical Characteristics(Tc=25°C unless otherwise specified)

Parameter	Symbol	Test Conditions	Min.	Typ.	Max.	Unit	
Reverse Current	I_{RRM}	$V_R=V_{RRM}$	$T_j=25^{\circ}C$	-	-	50	μA
			$T_j=125^{\circ}C$	-	-	200	μA
Forward Voltage Drop	V_{FM}	$I_{FM}=15.0A$	$T_j=25^{\circ}C$	-	2.2	3.2	V
			$T_j=125^{\circ}C$	-	-	2.8	V
Reverse Recovery Time	t_{rr}	$I_F=1A, V_R=30V$ $diF/dt=-200A/us$	-	40	60	ns	

Electrical characteristics(Curves)



Package outline dimension



TO-220C-2L

Unit: mm